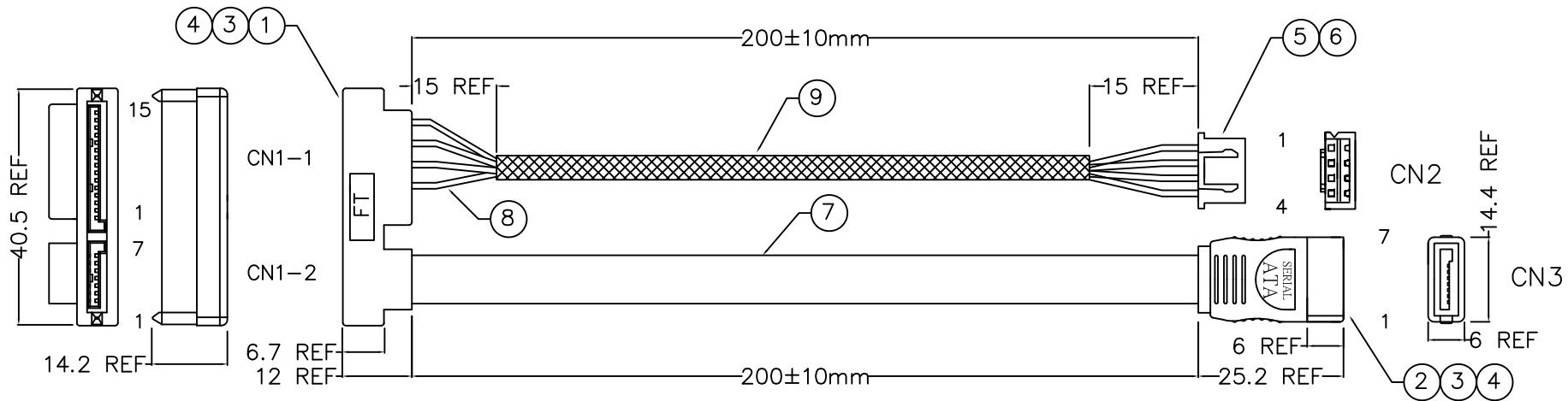


PART NO. FT-C031-L104018
 CUST NO. GTC-32801-005901-101-RS

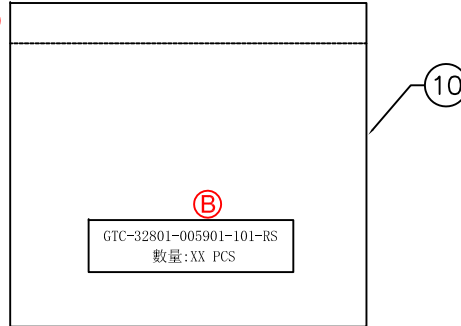
CUSTOMER DRAWING

REVISIONS			
LTR	DESCRIPTION	DATE	APPROVED
B	變更包裝方式.	2016.11.01	Bryan Ho

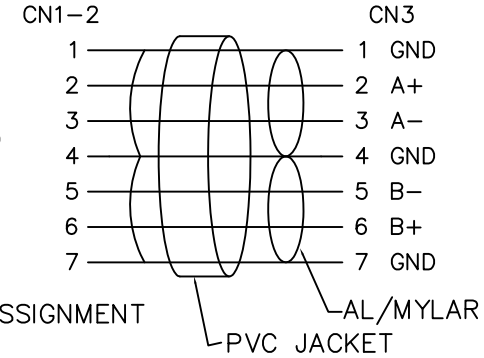


TEST CONDITION:
 1.CONTACT RESISTANCE: 3 ohm/Max.
 2.INSULATION RESISTANCE: 2M ohm/Min.
 3.HI-POT TEST:DC 300V/0.01s.

ⓑ包裝說明: 每10PCS成品以橡皮筋捆綁一束, 每5束裝入1PCS PE BAG, 袋外以標籤標示料號及數量.



- CN1-1
- 13 ~ 15 ——— 1 (YELLOW)
- 10 ~ 12 ——— 3 (BLACK)
- 7 ~ 9 ——— 4 (RED)
- 4 ~ 6 ——— 2 (BLACK)



NOTE	DESCRIPTION
1	SATA CONNECTOR , 7-POS + 15-POS , RESEPTACLE , BLACK (90°)
2	SATA CONNECTOR , 7-POS , RECEPTACLE , BLACK (180°)
3	INNER MOLD , PVC , PE , WHITE
4	OVER MOLD , PVC , 45P , BLACK
5	P/N:CKM2501H-4P , 2.5mm*4P HOUSING
6	P/N:CKM2501-T , 2.5mm TERMINAL * 4PCS
7	UL 2725 [(26AWG*2C+AL)*2+3E]-BT (RED) 2.2*7.8 CABLE
8	UL 1007 22AWG * 4PCS CABLE
9	φ4.0*170mm SHRINK TUBE
10	PE BAG

UNLESS OTHERWISE SPECIFIDE DIMENSIONS ARE IN MILLIMETERS ANGULAR TOLERANCE: XXXXX		APPROVALS	DATE												
		DRAWN TERRY.HO	2019.07.01												
		CHECKED TERRY.HO	2019.07.01												
		APPROVAL BRYAN.HO	2019.07.01												
<table border="1"> <thead> <tr> <th>DIMENSIONS</th> <th>TOLERANCE</th> </tr> </thead> <tbody> <tr> <td>.X</td> <td>±0.5</td> </tr> <tr> <td>X.</td> <td>±1</td> </tr> <tr> <td>XX.</td> <td>±10</td> </tr> <tr> <td>XXX.</td> <td>±50</td> </tr> </tbody> </table>		DIMENSIONS	TOLERANCE	.X	±0.5	X.	±1	XX.	±10	XXX.	±50	SIZE C SCALE : XX : XX		DRAWING NO. FT - C292 - 526	REV. B
DIMENSIONS	TOLERANCE														
.X	±0.5														
X.	±1														
XX.	±10														
XXX.	±50														
ID NO.			SHEET 1 OF 1												