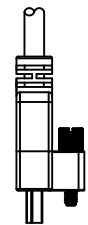
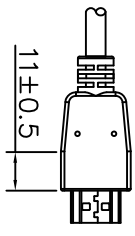
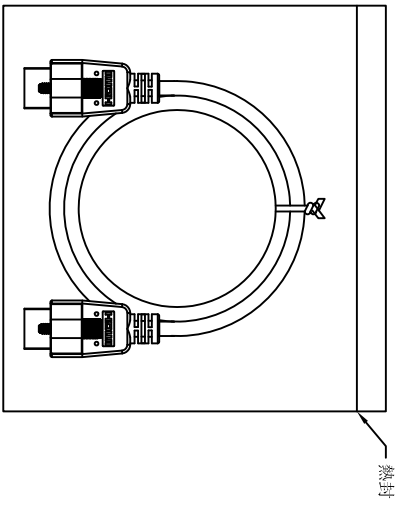
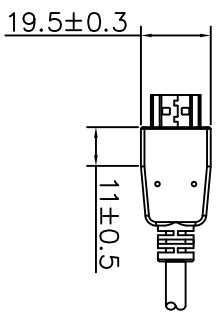
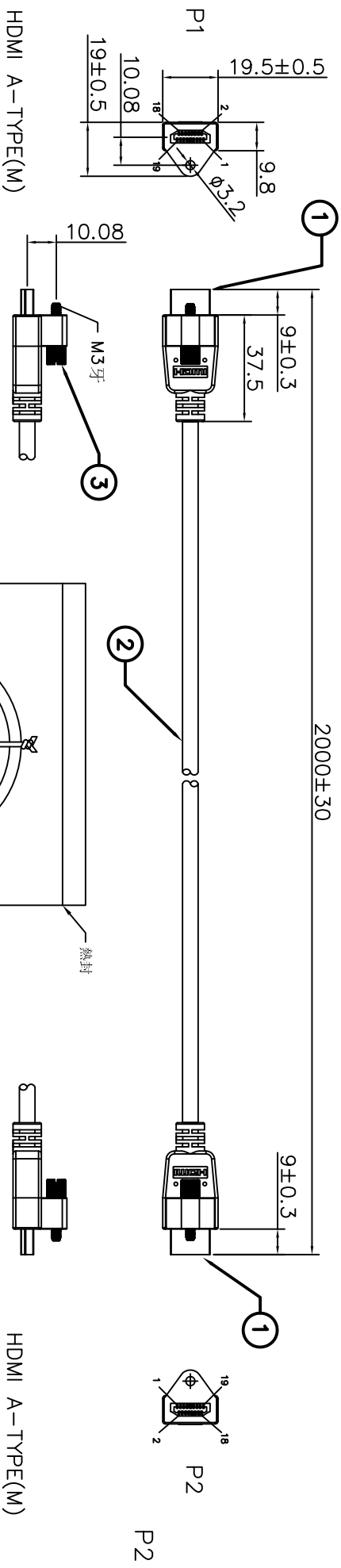


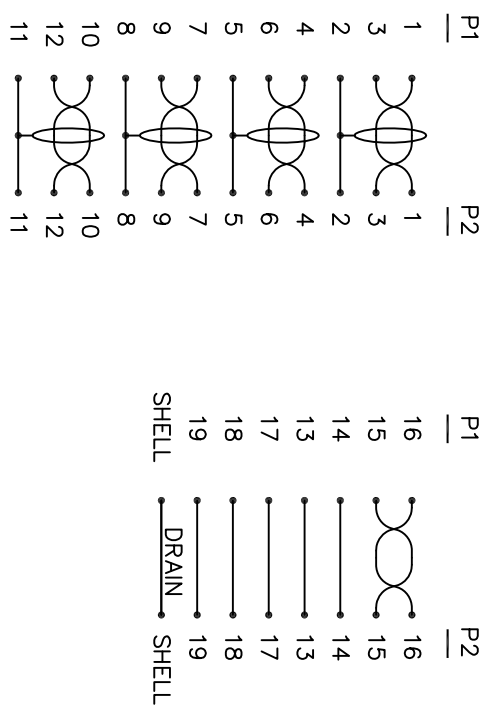
PART NO. FT-C000-H103100
 CUST. NO.

CUSTOMER DRAWING

REVISIONS		DATE	APPROVED
LTR	DESCRIPTION		



WIRING DIAGRAM



CABLE: UL 20276
 CONDUCTOR: (30AWG*1PAIR+AL/MYLAR+DRAIN WIRE)*4C+30AWG*1PAIR+
 30AWG*5C+AL/MYLAR+DRAIN WIRE+BRAID
 JACKET: PVC , OD: Ø5.5mm
 COLOR: BLACK

NOTE	DESCRIPTION
1	HDMI A-TYPE 19PIN (MALE) , PIN: GOLD FLASH
2	UL 20276 (30AWG*1P+AL/MY+D)*4C+30AWG*1P+30AWG*5C+AL/MY+D+B CABLE
3	Ø6.3*21.5 THUMBSCREW M3 TYPE

ROHS COMPLIANT

DIMENSION ARE MILLIMETERS		APPROVALS		DATE	
TOLERANCES ARE : X ± 0.5 XX ± 0.30		DRAWN Terry.Ho	CHECKED Terry.Ho	2015.01.16	2015.01.16
DESCRIPTORS ARE : X ± 0.5 XX ± 0.30		DRAWING NO. FT - C292 - 520		REV. A	
DO NOT SCALE DRAWING		DRAWING NO. FT - C292 - 520		SHEET 1 OF 1	



HDMI A-TYPE(M) M3 SCREW to HDMI A-TYPE(M)
 M3 SCREW, ZM UL 20276 Ø5.5mm CABLE