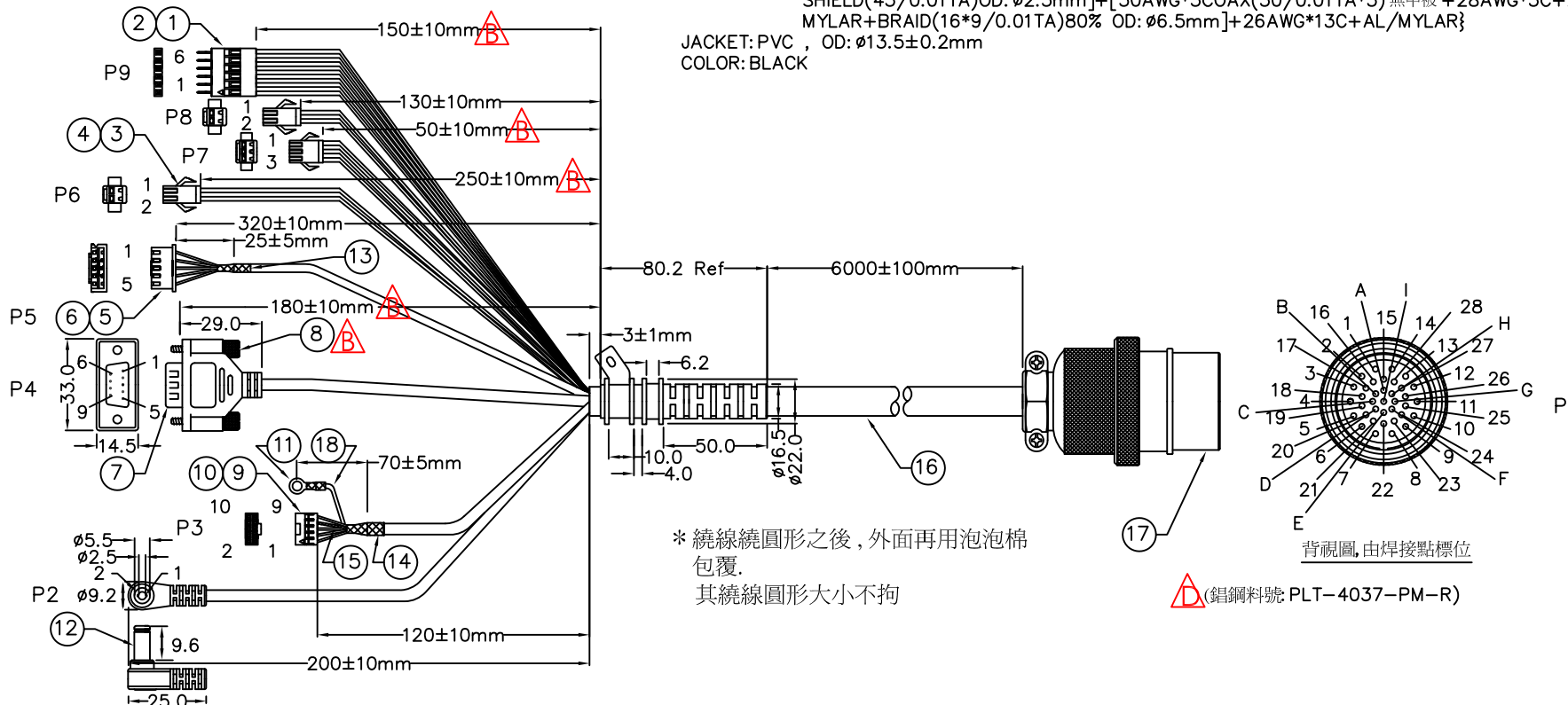


PART NO. FT-C001-R101129  
 CUST NO. 19800-016100-100-RS

# CUSTOMER DRAWING

REVISIONS			
LTR	DESCRIPTION	DATE	APPROVED
B	修正四處線材尺寸如標示處,使用特製螺絲	2013.01.24	Bryan
C	變更接點圖	2013.04.12	Bryan
D	新增供應商料號標示	2013.06.20	Bryan

CABLE: UL 2725 (所有外被,中被用軟料)  
 CONDUCTOR: {[ (28AWG\*1PAIR)+28AWG\*2C+AL/MYLAR+DRAIN WIRE+BRAID(16\*4/0.01TA)OD:  $\phi$ 3.5mm ]  
 + [ 28AWG\*5C+AL/MYLAR+BRAID(16\*4/0.01TA)OD:  $\phi$ 3.5mm ] + [ UL 118524AWG\*1C+SPIRAL  
 SHIELD(43/0.01TA)OD:  $\phi$ 2.5mm ] + [ 30AWG\*3COAX(50/0.01TA\*3) 無中被 + 28AWG\*5C+AL/  
 MYLAR+BRAID(16\*9/0.01TA)80% OD:  $\phi$ 6.5mm ] + 26AWG\*13C+AL/MYLAR }  
 JACKET: PVC , OD:  $\phi$ 13.5 $\pm$ 0.2mm  
 COLOR: BLACK



\* 繞線繞圓形之後,外面再用泡泡棉  
 包覆.  
 其繞線圓形大小不拘

△ (鋁鋼料號: PLT-4037-PM-R)

- NOTE:
- 1.6501H-06 , 2.54mm\*6P HOUSING
  - 2.6501TM , 2.54mm TERMINAL
  - 3.8854-02 , 2.5mm\*2P HOUSING\*2PCS , 8854-03 , 2.5mm\*3P HOUSING\*1PCS
  - 4.854T , 2.5mm TERMINAL
  - 5.CKM2501H-5P , 2.5mm\*5P HOUSING
  - 6.CKM2501-T , 2.5mm TERMINAL
  - 7.D-SUB 9PIN (MALE) CONNECTOR
  - 8.φ4.0-40UNC \*25.3mm SCREW(SPECIAL DESIGN) \* 2PCS
  - 9.4601H-2\*5P , 2.0mm 2\*5P HOUSING
  - 10.4601T , 2.0mm TERMINAL
  - 11.J602-BS-2(φ5.0\*φ3.2mm)+3.0\*10mm SHRINK TUBE
  - 12.φ5.5\*φ2.5 DC PLUG 90 (NICKEL PLATED) 音叉式

- 13.φ4.0\*10mm SHRINK TUBE
- 14.φ7.0\*15mm SHRINK TUBE
- 15.φ1.5\*25mm SHRINK TUBE \* 4PCS
- 16.UL 20276 φ13.5mm CABLE
- 17.37 PIN CRIMP TYPE (MALE) 軍規頭 (鋁鋼料號: PLT-4037-PM-R) △
- 18.UL 1061 28AWG CABLE

UNLESS OTHERWISE SPECIFIDE DIMENSIONS ARE IN MILLIMETERS ANGULAR TOLERANCE: XXXXX		APPROVALS	DATE		
		DRAWN Jack.Yan	2013.01.24		
		CHECKED Pual.Zhang	2013.01.24	VGA/RS232/POWER/KEY PAD/LED LED/SWITCHES TO 37PIN CABLE	
		APPROVAL Shan.Huang	2013.01.24		
DIMENSIONS	TOLERANCE	SIZE	SCALE :	DRAWING NO.	REV.
.X	±0.5	C	xx : xx	FT - C292 - 378	D
X.	±1				
XX.	±10				
XXX.	±50				
		ID NO.	SHEET 1 OF 2		

4

3

2

1

PART NO.	FT-C001-R101129-01
CUST NO.	19800-016100-100-RS


# CUSTOMER DRAWING

REVISIONS			
LTR	DESCRIPTION	DATE	APPROVED
B	修正四處線材尺寸如標示處,使用特製螺絲	2013.01.24	Bryan
C	變更接點圖	2013.04.12	Bryan

## PIN ASSIGNMENT

P1	P2	P1	P5
16 (24AWG)	1 (WHITE)	18 (28AWG)	5 (GREEN)
17 (SHIELD)	2 (BLACK)	23 (28AWG) 	4 (BLUE)
		4 (28AWG)	2 (PURPLE)
P1	P3	8 (28AWG) 	1 (GRAY)
A (30AWG)	9 (RED)		
C (30AWG)	7 (GREEN)	P1	P6
E (30AWG)	5 (BLUE)	3 (26AWG)	1 (RED)
B (SHIELD),RED	6 (SHIELD)	2 (26AWG)	2 (YELLOW)
D (SHIELD),GREEN	4 (SHIELD)		
H (28AWG)	3 (BLACK)		
G (28AWG)	1 (BROWN)	P1	P7
28 (28AWG)	10 (RED)	14 (26AWG)	1 (BLACK)
27 (28AWG)	8 (ORANGE)	15 (26AWG)	2 (BROWN)
26 (28AWG)	2 (YELLOW)	1 (26AWG)	3 (ORANGE)
J,F (SHIELD),BLUE	Ring terminal ( $\phi 5.0 * \phi 3.2 \text{mm}$ ) UL 1007 24AWG	P1	P8
		14 (26AWG)	1 (GREEN)
		13 (26AWG)	2 (BLUE)
P1	P4	P1	P9
22 (28AWG)	7 (RED)	12 (26AWG)	1 (PURPLE)
19 (28AWG,1P)	2 (WHITE)	11 (26AWG)	2 (GRAY)
20 (28AWG,1P)	3 (GREEN)	25 (26AWG)	3 (WHITE)
5 (28AWG)	5 (BLACK)	24 (26AWG)	4 (PINK)
SHELL (DRAIN)	SHELL (SHIELD)	10 (26AWG)	5 (Light Green)
		9 (26AWG)	6 (WHITE/BLACK)

UNLESS OTHERWISE SPECIFIED DIMENSIONS ARE IN MILLIMETERS ANGULAR TOLERANCE: XXXXX		APPROVALS	DATE
		DRAWN Jack.Yan	2012.12.27
		CHECKED Pual.Zhang	2012.12.27
		APPROVAL Shan.Huang	2012.12.27
DIMENSIONS	TOLERANCE		
.X	±0.5		
X.	±1		
XX.	±10		
XXX.	±50		

 **Futronic Technology**

VGA/RS232/POWER/KEY PAD/LED  
/LED/SWITCHES TO 37PIN CABLE

SIZE	SCALE :	DRAWING NO.	REV.
C	xx : xx	FT - C292 - 378	D
ID NO.			SHEET 2 OF 2

4

3

2

1