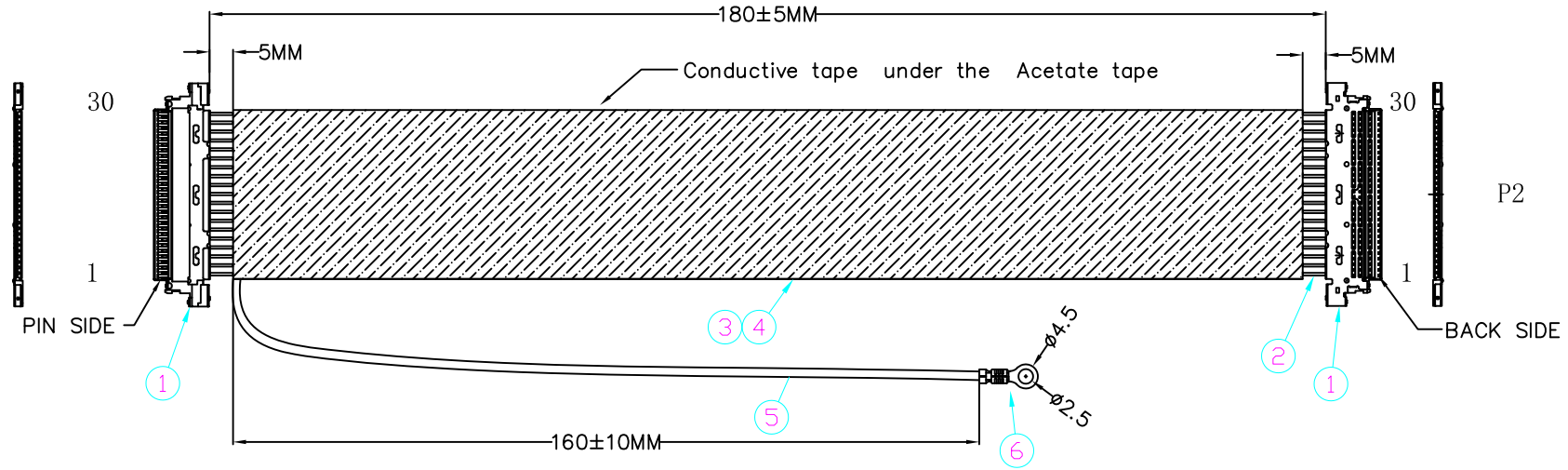


PART NO. FT-C055-M108823
 CUST NO. 26300000000688

CUSTOMER DRAWING

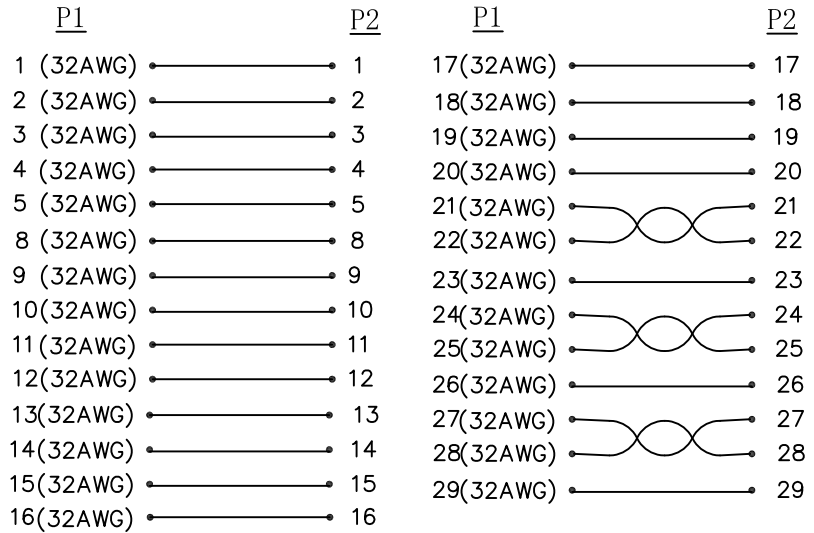
REVISIONS			
LTR	DESCRIPTION	DATE	APPROVED

RoHS



NOTE	DESCRIPTION
1	XYCO P/N:KB501-30H4A CONNECTOR *1SET
2	UL 10064 32AWG WIRE
3	CONDUCTIVE TAPE
4	W=15MM ACETATE TAPE
5	UL 1061 24AWG BLACK WIRE
6	P/N:R250045 TERMINAL

NOTE:
 1.100% TEST OPEN SHORT & MIS-WIRE
 2.CONDUCTION RESISTANCE: 2 Ohm (MAX)
 3.INSULATION RESISTANCE: 5M Ohm (MIN)
 4.HIPOT TEST: DC 300V, 0.01/S.
 5.APPLY UL LABEL



UNLESS OTHERWISE SPECIFIDE DIMENSIONS ARE IN MILLIMETERS ANGULAR TOLERANCE: XXXXX		APPROVALS	DATE		
		DRAWN PETER.YEH	2019.08.23		
		CHECKED SANDY.CHEN	2019.08.23	CABLE TFT EDP GENUIS RC017 _CB009	
		APPROVAL BRYAN.HO	2019.08.23		
		ID NO.			
DIMENSIONS	TOLERANCE	SIZE	SCALE :	DRAWING NO.	REV.
.X	±0.5	C	xx : xx	FT - C292 - 713	A
X.	±1			SHEET 1 OF 1	
XX.	±10				
XXX.	±50				