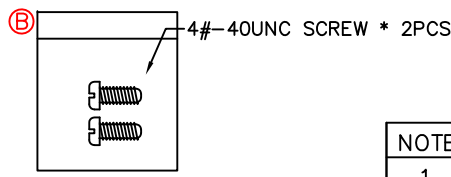
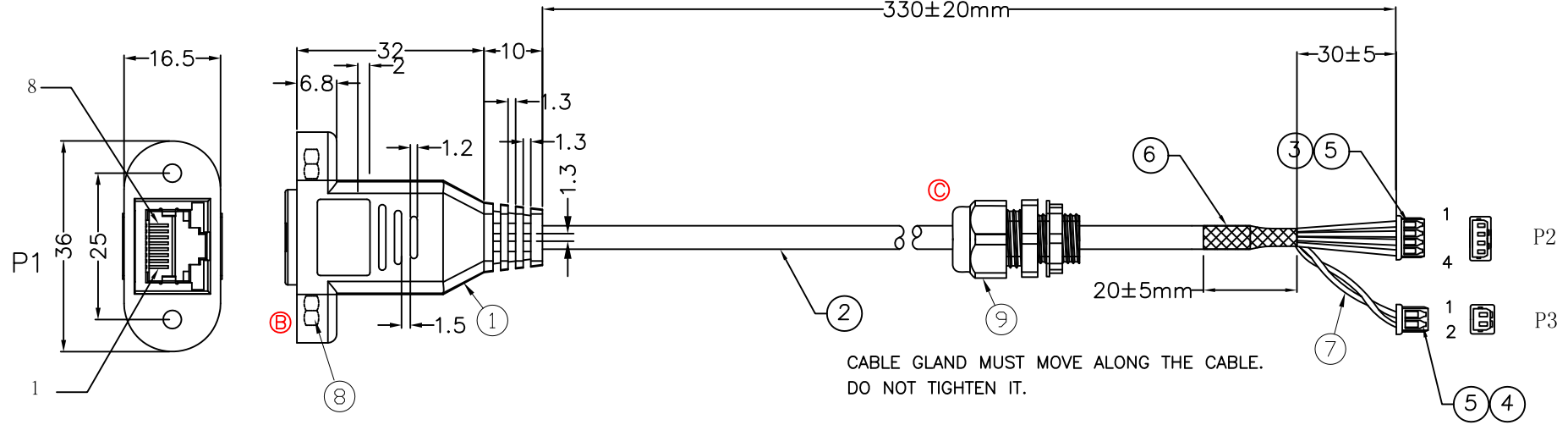


PART NO. FT-C055-N108013
 CUST NO. 26500000000092

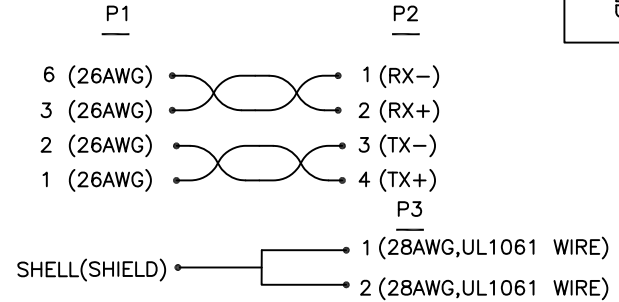
CUSTOMER DRAWING

REVISIONS			
LTR	DESCRIPTION	DATE	APPROVED
(B)	CHANGE CABLE LENGTH & SCREWS PACKED.	2019.05.20	Bryan Ho
(C)	ADD A CABLE GLAND.	2019.09.30	Bryan Ho

RoHS



WIRING DIAGRAM



NOTE	DESCRIPTION
1	RJ-45 JACK (FEMALE) , PIN: GOLD FLASH&SHELL: NICKEL PLATED
2	CAT 5E STP 26AWG*2P +AL+B(16*5/0.10TA) OD=5.0MM CABLE
3	MOLEX P/N: 51021-0400 , 1.25mm*4P HOUSING
4	MOLEX P/N: 51021-0200 , 1.25mm*2P HOUSING
5	MOLEX P/N: 50079-8000 , 1.25mm TERMINAL * 6PCS
6	∅6.0*20.0mm SHRINK TUBE
7	UL1061 28AWG BLAK WIRE*2PCS
8	#4-40 METAL SCREW & 4#-40 HEXNUT * 2PCS
9	CABLE GLAND WATERPROOF KSS P/N: EG-7LSW, BLACK

- NOTE:
- 100% TEST OPEN SHORT & MIS-WIRE
 - CONDUCTION RESISTANCE: 3 Ohm (MAX)
 - INSULATION RESISTANCE: 5M Ohm (MIN)
 - HIPOT TEST: DC 300V, 0.01/S.
 - HIPOT TEST: DC 300V, 0.01/S.

UNLESS OTHERWISE SPECIFIDE DIMENSIONS ARE IN MILLIMETERS ANGULAR TOLERANCE: XXXXX		APPROVALS DRAWN PETER. YEH CHECKED SANDY.CHEN APPROVAL BRYAN.HO	DATE 2019.09.30 2019.09.30 2019.09.30		CAB PROLUNGA ETH BLACK AC122 CB002.
DIMENSIONS	TOLERANCE	SIZE	SCALE :		
.X	±0.5	C	XX : XX	FT - C292 - 691	C
X.	±1	ID NO.		SHEET 1 OF 1	
XX.	±10				
XXX.	±50				