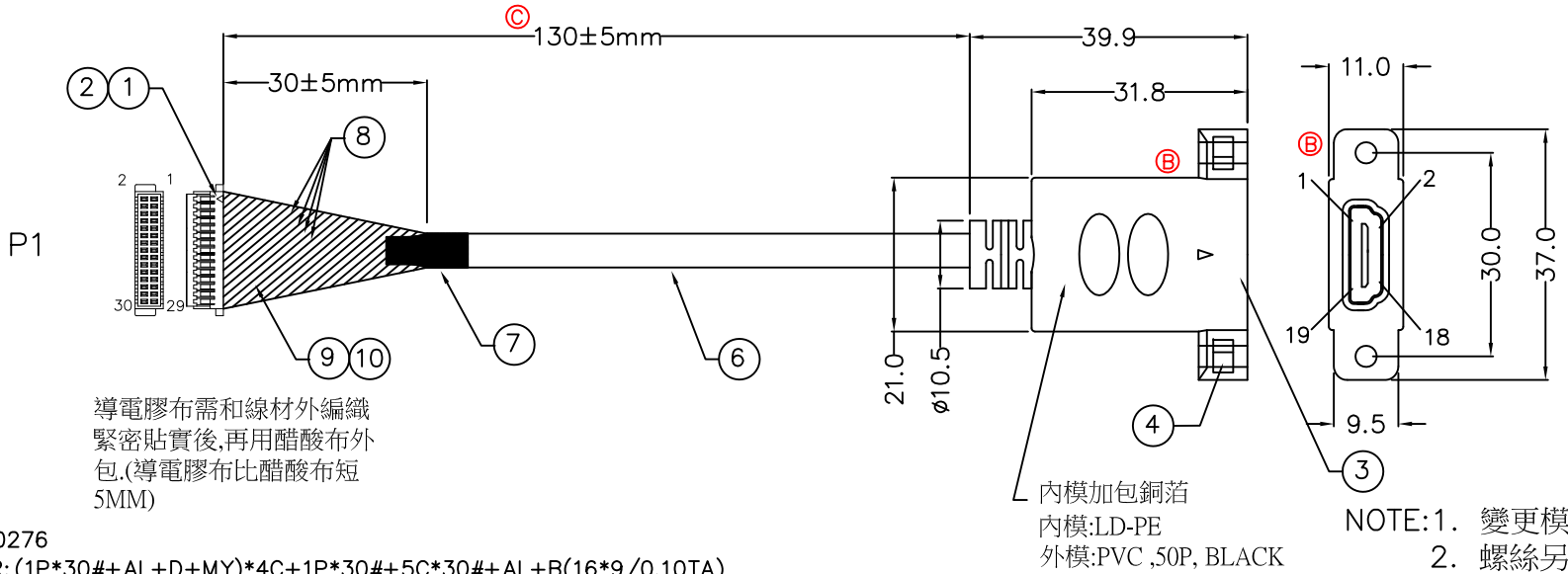


PART NO. FT-C062-H109468
 CUST NO. 170X000119

CUSTOMER DRAWING

REVISIONS			
LTR	DESCRIPTION	DATE	APPROVED
Ⓑ	CHANGE OVERMOLD TOOLING ADD PACKING.	2020.05.14	Bryan
Ⓒ	DIMENSION REDUCE FROM 150MM TO 130MM	2020.05.27	Bryan

RoHS

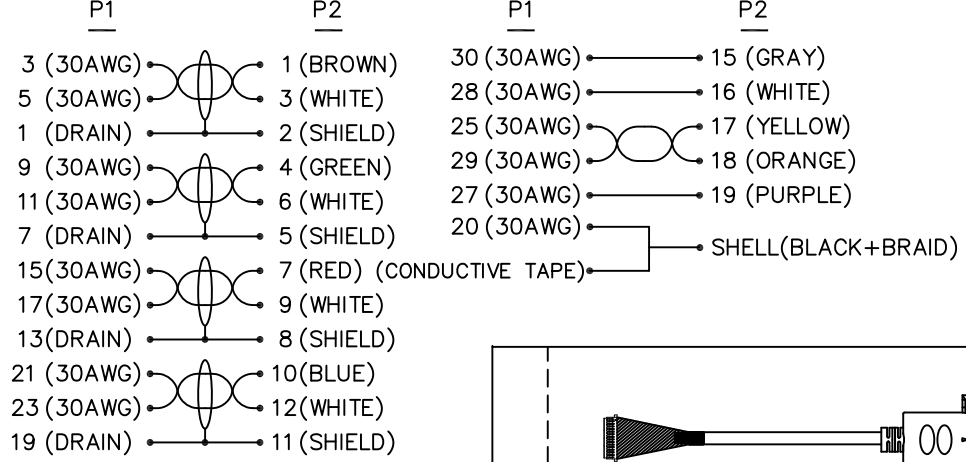


導電膠布需和線材外編織緊密貼實後,再用醋酸布外包.(導電膠布比醋酸布短5MM)

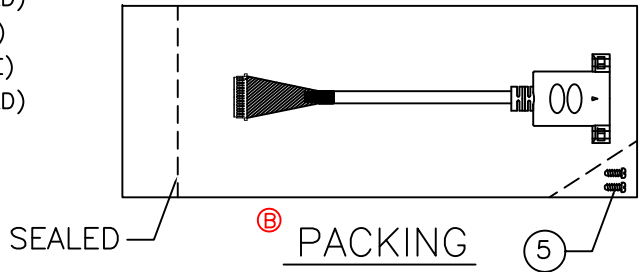
CABLE: UL 20276
 CONDUCTOR: (1P*30#+AL+D+MY)*4C+1P*30#+5C*30#+AL+B(16*9/0.10TA)
 AJCKET: PVC , OD: Ø5.5±0.15mm
 COLOR: BLACK

NOTE: 1. 變更模具後,不上字模.
 2. 螺絲另包裝不鎖上.

WIRING DIAGRAM



NOTE	DESCRIPTION
1	JST SHDR SERIES 1.0MM 2* 15P HOUSING ,OR XY P/N:KB901-D30H2A .
2	JST SHDR SERIES 1.0MM TERMINALS ,OR XY P/N:KB901-1XD1A.
3	HDMI 19PIN (FEMALE) CONNECTOR (P/N: C03-2-19-4-8-05-212-8-3)
4	#4-40六角螺母 * 2PCS
5	螺絲 (Ø5.0*7.0mm) * 2PCS
6	UL 20276 (1P*30#+AL+D+MY)*4C+1P*30#+5C*30#+AL+B CABLE
7	Ø6.0*15mm SHRINK TUBE * 1PCS
8	Ø1.0*30.0mm SHRINK TUBE * 4PCS
9	CONDUCTIVE TAPE
10	ACE CLOTH TAPE



UNLESS OTHERWISE SPECIFIDE DIMENSIONS ARE IN MILLIMETERS ANGULAR TOLERANCE: XXXXX		APPROVALS	DATE	
		DRAWN Sandy.Chen	2020.05.27	
		CHECKED Naomi.Yeh	2020.05.27	HDMI 19P(F) to KB 901-2*15P , UL 20276 Ø5.5mm,150mm CABLE
		APPROVAL Bryan.Ho	2020.05.27	
SIZE	SCALE :	DRAWING NO.	REV.	
Ⓒ	xx : xx	FT - C292 - 737	Ⓒ	
ID NO.				SHEET 1 OF 1