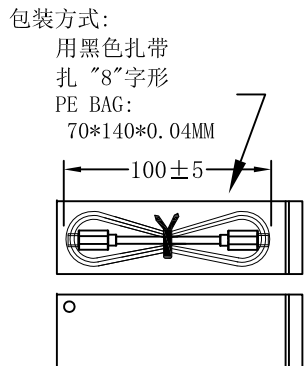
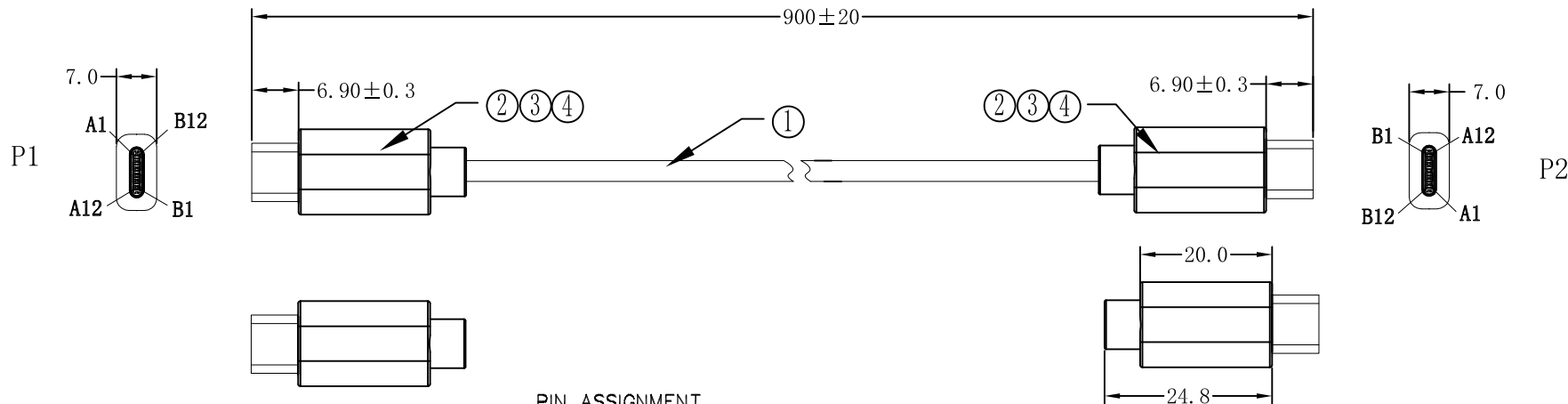


PART NO. FT-C062-U109806
 CUST NO.

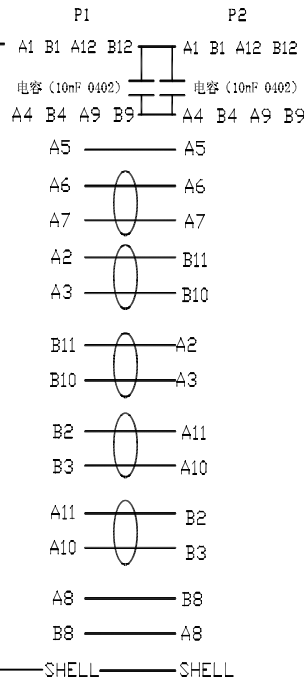
CUSTOMER DRAWING

REVISIONS			
LTR	DESCRIPTION	DATE	APPROVED

RoHS



PIN ASSIGNMENT



NO	DESCRIPTION	SPECIFICATION & SUPPLIER	Q'TY
4	OVERMOLD	PVC BLACK 45P	
3	PE	PE NATURAL	
2	CONNECTOR	USB3.1 C PTYPE MALE BLACK INSULATOR SOLDER TYRE (10nF-拉伸-G4.2)	2PCS
1	WIRE	UL 无印字 (32AWG*1P+AL/MYLAR)*4P+32AWG*4C+24AWG*1C +32AWG*1P+AL+2D+B BLACK PVC JACKET OD=4.5±0.2MM	910MM

- NOTE:
- 1.100% TEST OPEN SHORT & MIS-WIRE
 - 2.INSULATION RESISTANCE: 2M OHM
 - 3.HIPOT TEST:DC 300V, 0.01/S.

UNLESS OTHERWISE SPECIFIDE DIMENSIONS ARE IN MILLIMETERS ANGULAR TOLERANCE: XXXXX		APPROVALS	DATE	
DRAWN		PETER.YEH	2020.08.06	
CHECKED		SANDY.CHEN	2020.08.06	
APPROVAL		BRYAN.HO	2020.08.06	SIZE: C SCALE: xx : xx DRAWING NO. FT - C292 - 745 REV. A
ID NO.				

D
C
B
A

D
C
B
A