

PART NO. FT-C055-M110607  
 CUST NO. 26300000000766

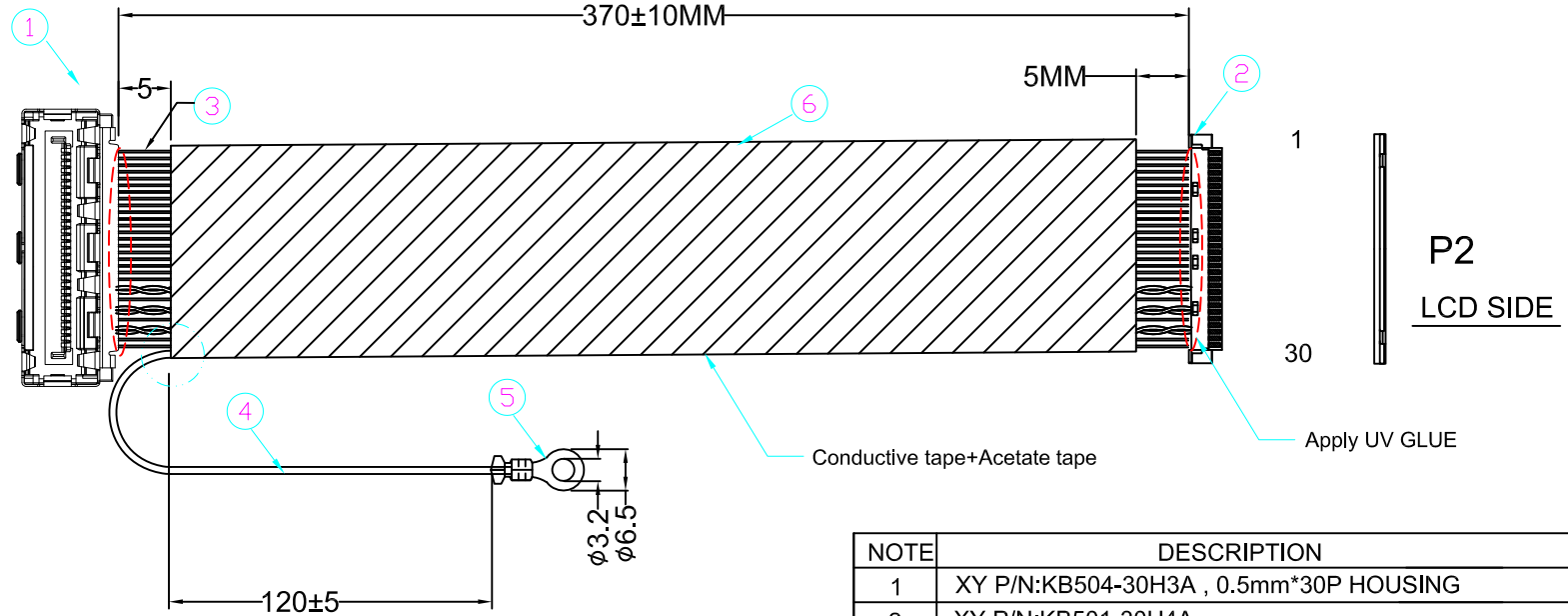
# CUSTOMER DRAWING

REVISIONS			
LTR	DESCRIPTION	DATE	APPROVED
(B)	Change wire to 24 AWG.	2021.07.09	Bryan Ho

**RoHS**

D  
C  
B  
A

D  
C  
B  
A



<b>P1</b>	<b>P2</b>	<b>P1</b>	<b>P2</b>
30 (32AWG) —————→ 1	15 (32AWG) —————→ 16	14 (32AWG) —————→ 17	13 (32AWG) —————→ 18
29 (32AWG) —————→ 2	12 (32AWG) —————→ 19	11 (32AWG) —————→ 20	10 (32AWG) —————→ 21
28 (32AWG) —————→ 3	9 (32AWG) —————→ 22	8 (32AWG) —————→ 23	7 (32AWG) —————→ 24
27 (32AWG) —————→ 4	8 (32AWG) —————→ 23	6 (32AWG) —————→ 25	5 (32AWG) —————→ 26
26 (32AWG) —————→ 5	7 (32AWG) —————→ 24	4 (32AWG) —————→ 27	3 (32AWG) —————→ 28
25 (32AWG) —————→ 6	6 (32AWG) —————→ 25	2 (32AWG) —————→ 29	1 (32AWG) —————→ 30
24 (32AWG) —————→ 7	5 (32AWG) —————→ 26	(B) T.M. (24AWG) —————→ Conductive tape	
23 (32AWG) —————→ 8	4 (32AWG) —————→ 27		
22 (32AWG) —————→ 9	3 (32AWG) —————→ 28		
21 (32AWG) —————→ 10	2 (32AWG) —————→ 29		
20 (32AWG) —————→ 11	1 (32AWG) —————→ 30		
19 (32AWG) —————→ 12			
18 (32AWG) —————→ 13			
17 (32AWG) —————→ 14			
16 (32AWG) —————→ 15			

**WIRING HARNESS**  
 ISSUE NO. XXXXXX  
 FORM N XX PCS  
 PRINTED IN U.S.A.

**WARNING !!**  
 This wiring must be produced and packaged exclusively by a vendor  
 UL Certified  
 Under ZPFW2 ZPFW8  
 Product Category

NOTE	DESCRIPTION
1	XY P/N:KB504-30H3A , 0.5mm*30P HOUSING
2	XY P/N:KB501-30H4A
3	UL10064 32AWG WIRE
(B) 4	UL1061 24AWG L=250MM WIRE COLOR:BLACK
5	Ring Terminal, Tin plated ,
6	Conductive tape+Acetate tape

**NOTE:**  
 1.100% TEST OPEN SHORT & MIS-WIRE  
 2.CONDUCTION RESISTANCE: 2 Ohm (MAX)  
 3.INSULATION RESISTANCE: 5M Ohm (MIN)  
 4.HIPOT TEST:DC 300V, 0.01/S.  
 5.APPLY UL LABEL

UNLESS OTHERWISE SPECIFIDE DIMENSIONS ARE IN MILLIMETERS ANGULAR TOLERANCE: XXXXX		APPROVALS DRAWN PETER. YEHE	DATE 2021.07.09	
		CHECKED SANDY.CHEN	2021.07.09	
		APPROVAL BRYAN.HO	2021.07.09	CAB DISP 11.6 EDP 30P PC008_CB007 _ UL
DIMENSIONS	TOLERANCE	SIZE	SCALE :	DRAWING NO.
.X	±0.5	C	xx : xx	FT - C292 - 761
X.	±1			REV. B
XX.	±10			
XXX.	±50			
		ID NO.	SHEET 1 OF 1	

4 3 2 1