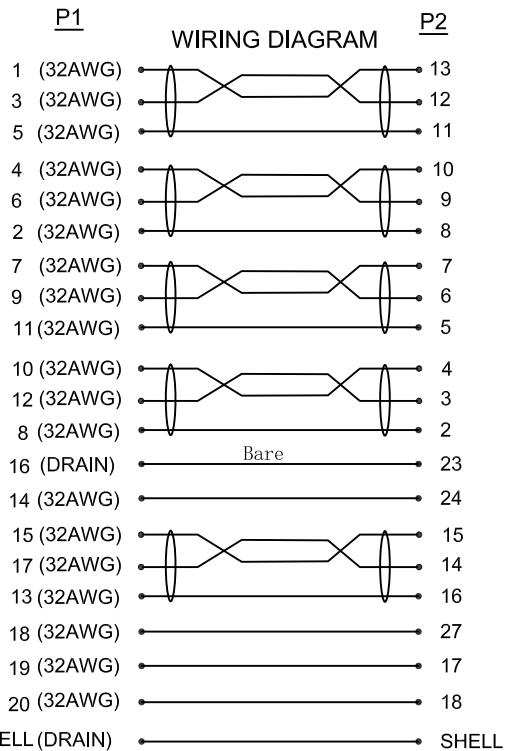
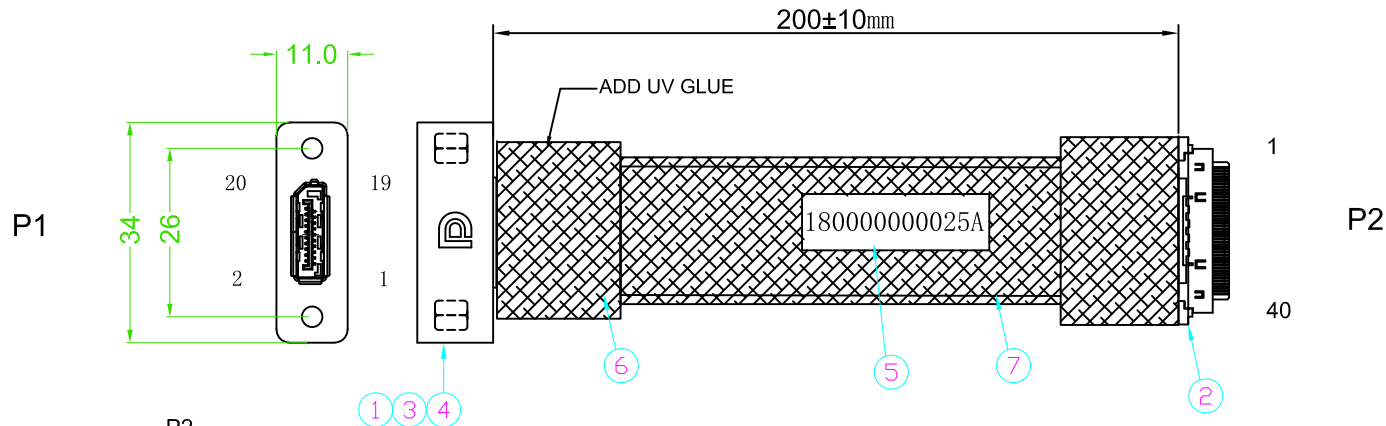


PART NO.	FT-C015-M113972
CUST NO.	70050473000

# CUSTOMER DRAWING

REVISIONS			
LTR	DESCRIPTION	DATE	APPROVED

**RoHS**



NOTE	DESCRIPTION
1	DP20P /FEMALE PIN & SHELL GOLD FLASH COLOR:BLACK
2	EQUIVALENT I-PEX 20410-040 CONN * 1SET
3	PHR 50P BALCK PVC OVER MOLDING
4	M3 HEX NUT * 2PCS
5	LABEL
6	ACETATE TAPE + CONDUCTIVE TAPE
7	UL10064 32AWG WIRE

**NOTE:**

- 100% TEST OPEN SHORT & MIS-WIRE
- CONDUCTION RESISTANCE: 2 Ohm (MAX)
- INSULATION RESISTANCE: 5M Ohm (MIN)
- HIPOT TEST:DC 300V, 0.01/S.

UNLESS OTHERWISE SPECIFIED DIMENSIONS ARE IN MILLIMETERS ANGULAR TOLERANCE: XXXXX		APPROVALS	DATE		
		DRAWN ZB. DONG	2024.10.23		
		CHECKED SANDY.CHEN	2024.10.23	IPEX 20410-040 40P TO DP20P (F) UL 10064 32AWG CABLE.	
		APPROVAL BRYAN.HO	2024.10.23		
DIMENSIONS	TOLERANCE	SIZE	SCALE :		DRAWING NO.
.X	±0.5	C	xx : xx		FT-C292-847
X.	±1			REV. A	
XX.	±10				
XXX.	±50				
ID NO.			SHEET 1 OF 1		