

4

3

2

1

PART NO. FT-C015-P113326
CUST NO.

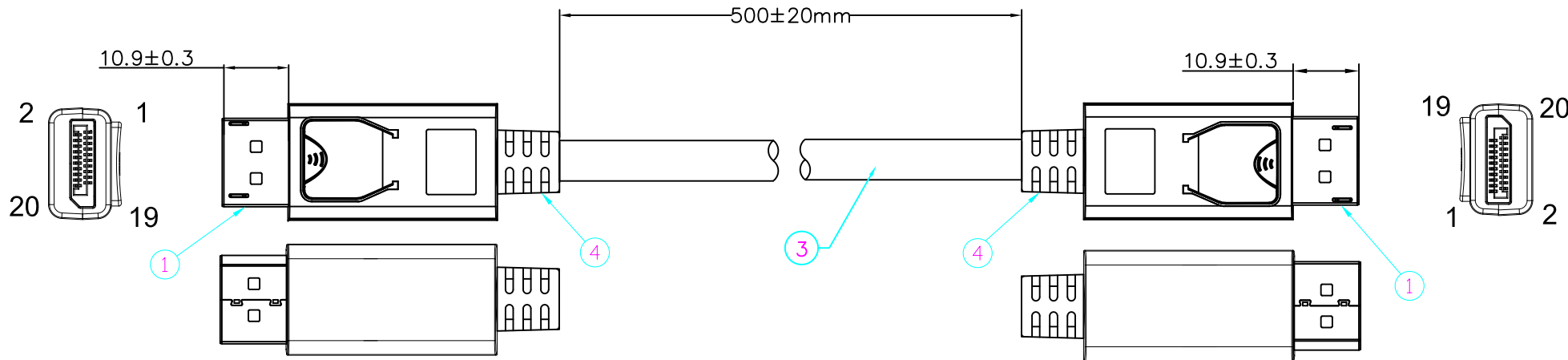
CUSTOMER DRAWING

REVISIONS			
LTR	DESCRIPTION	DATE	APPROVED

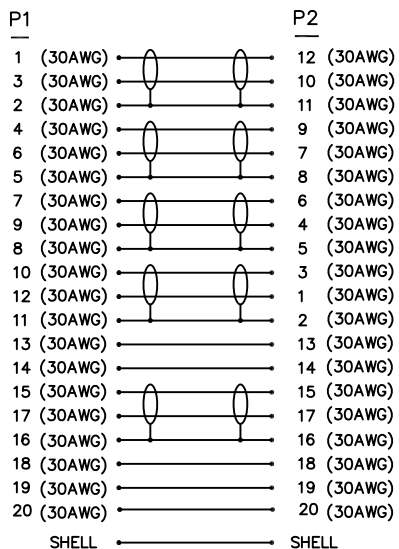
RoHS

P1

P2



PIN ASSIGNMENT



CABLE: UL 20276
 CONDUCTOR: (30AWG*2C+AL/MYLAR+DRAIN WIRE)*5C+30AWG*5C+AEB
 JACKET: PVC , OD: $\phi 6.0 \pm 0.15$ mm
 COLOR: BLACK

NOTE	DESCRIPTION
1	DISPLAYPORT 20PIN (MALE) , PIN: HALF-GOLD FLASH&SHELL: GOLD PLATED
2	ABS ASSEMBLY SHELL BODY WITH LATCHES ,BLACK.
3	UL 20276 (30AWG*2C+AL+D)*5C+30AWG*5C+AEB CABLE
4	B792.50P BLCBK PVC

- ELECTRICAL PROPERTIES:
- 100% OPEN SHORT MIS-WIRE TEST.
 - Contact Resistance: 3 ohm.
 - Insulation Resistance: 5 Mega ohm.
 - Hi-pot test: DC 300V/10ms.
 - SOLDERING COPPER FOIL ONTO THE INNER MOLDING.

UNLESS OTHERWISE SPECIFIDE DIMENSIONS ARE IN MILLIMETERS ANGULAR TOLERANCE: XXXXX		APPROVALS DRAWN PETER.YEH	DATE 2024.03.26	
DIMENSIONS	TOLERANCE	CHECKED SANDY.CHEN	DATE 2024.03.26	
.X	±0.5	APPROVAL BRYAN.HO	DATE 2024.03.26	DISPLAYPORT-20PIN(M) * 2PCS , 500mm, UL 20276 CABLE
X.	±1	SIZE C	SCALE : XX : XX	
XX.	±10	DRAWING NO. FT-C292-840	REV. A	SHEET 1 OF 1
XXX.	±50	ID NO.		

4

3

2

1